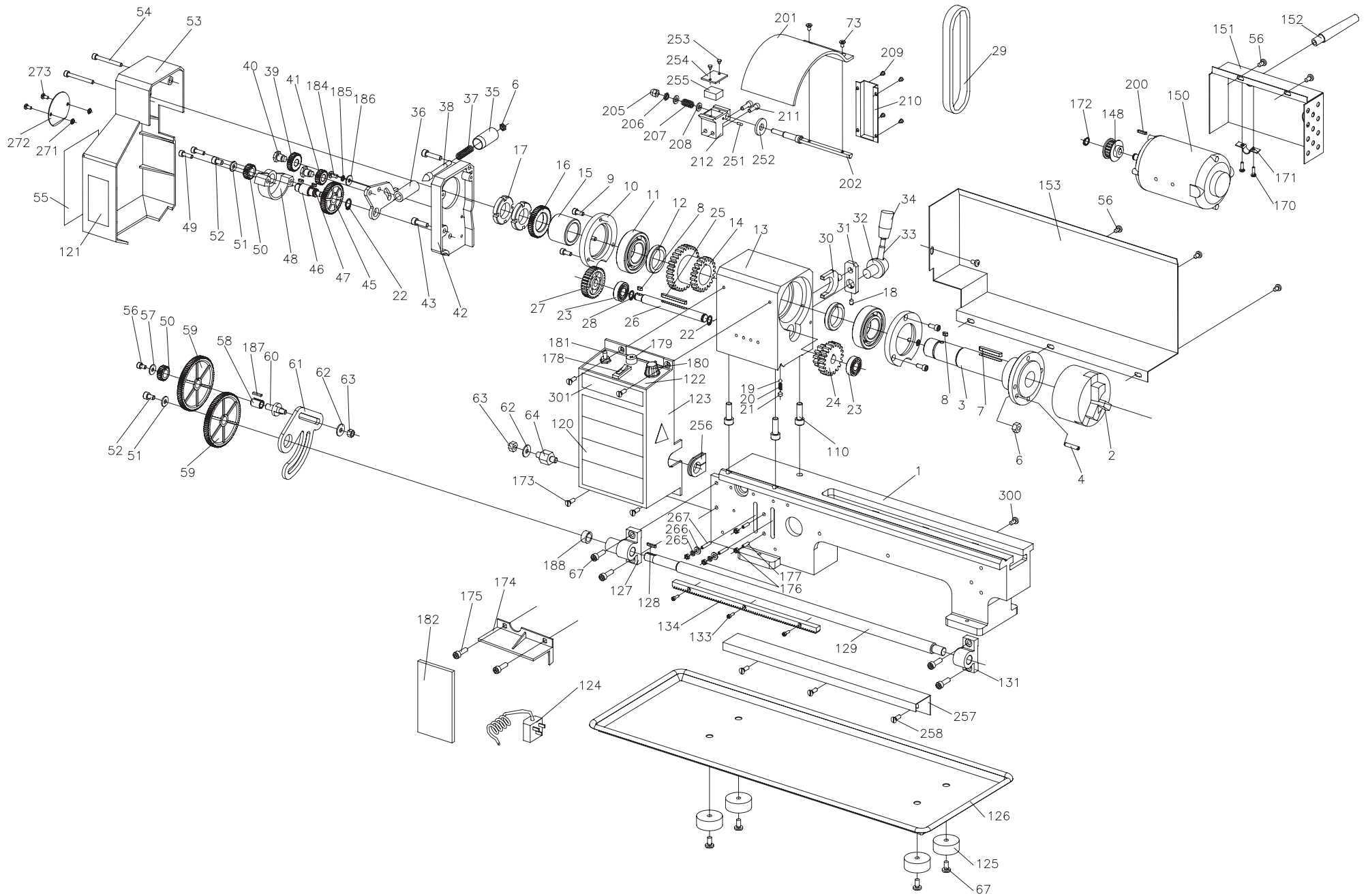


Harbor Freight Central Machinery 7x10 Mini Lathe - Model 93212 (C2)

Drawing 1 of 2



Harbor Freight Central Machinery 7x10 Mini Lathe - Model 93212 (C2)

Drawing 2 of 2

