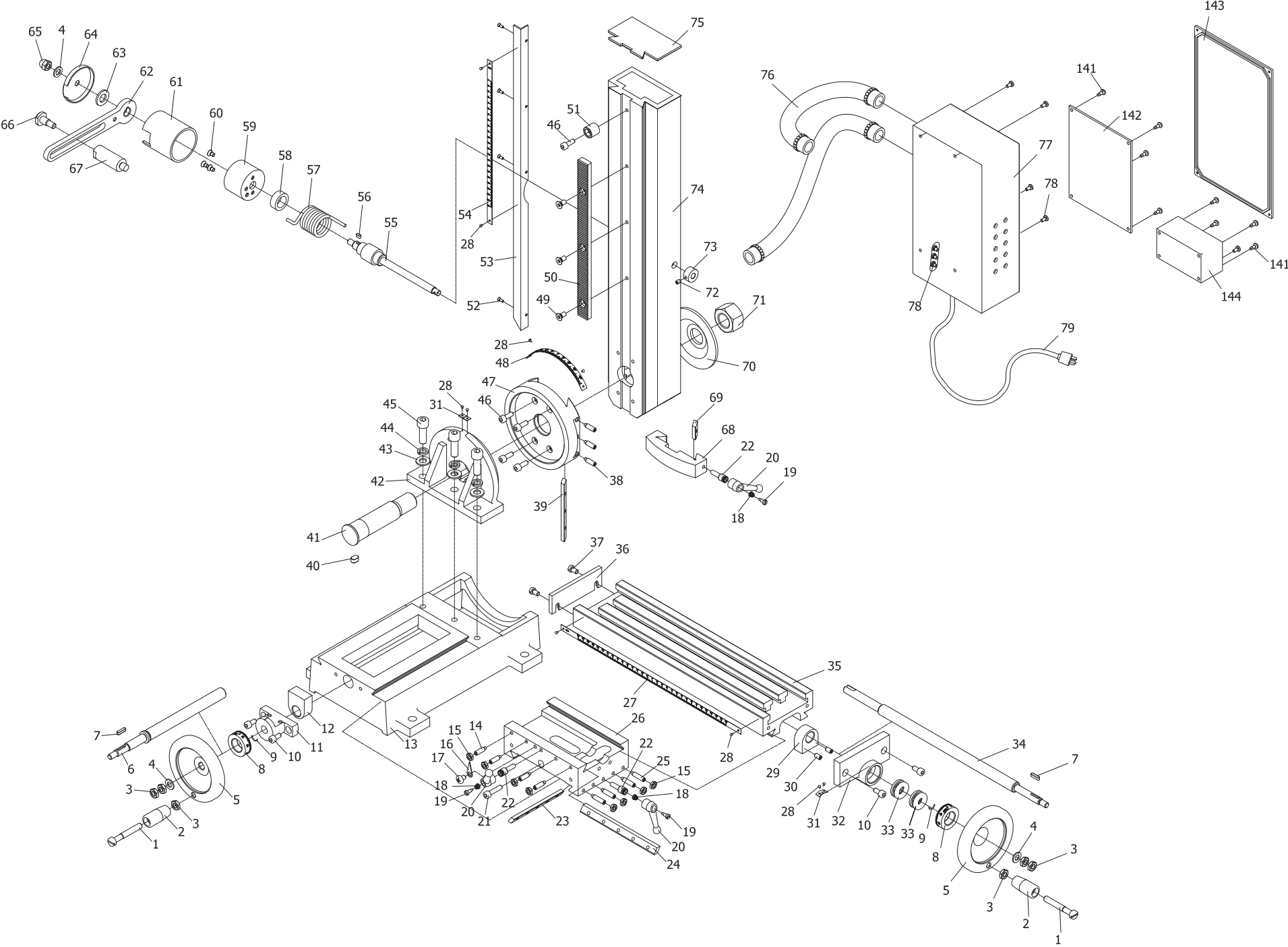


Micro-Mark MicroLux Mini Mill - Model 84630 (SX2)

Drawing 1 of 2



Micro-Mark MicroLux Mini Mill - Model 84630 (SX2)

Drawing 2 of 2

