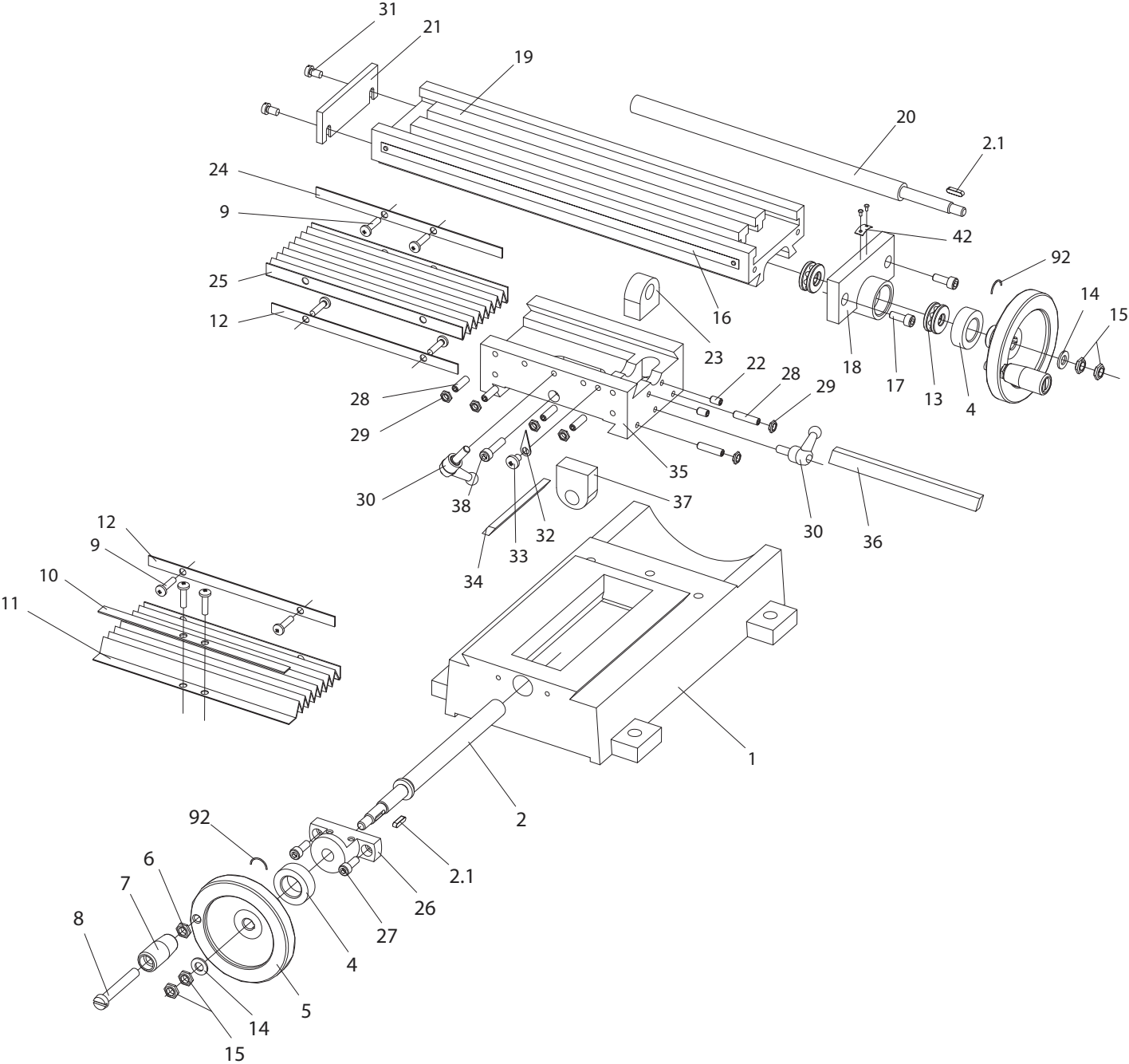


Micro-Mark MicroLux Mini Mill Model 82573 (X2) - 3MT Spindle

Drawing 1 of 3



Micro-Mark MicroLux Mini Mill Model 82573 (X2) - 3MT Spindle

Drawing 2 of 3

