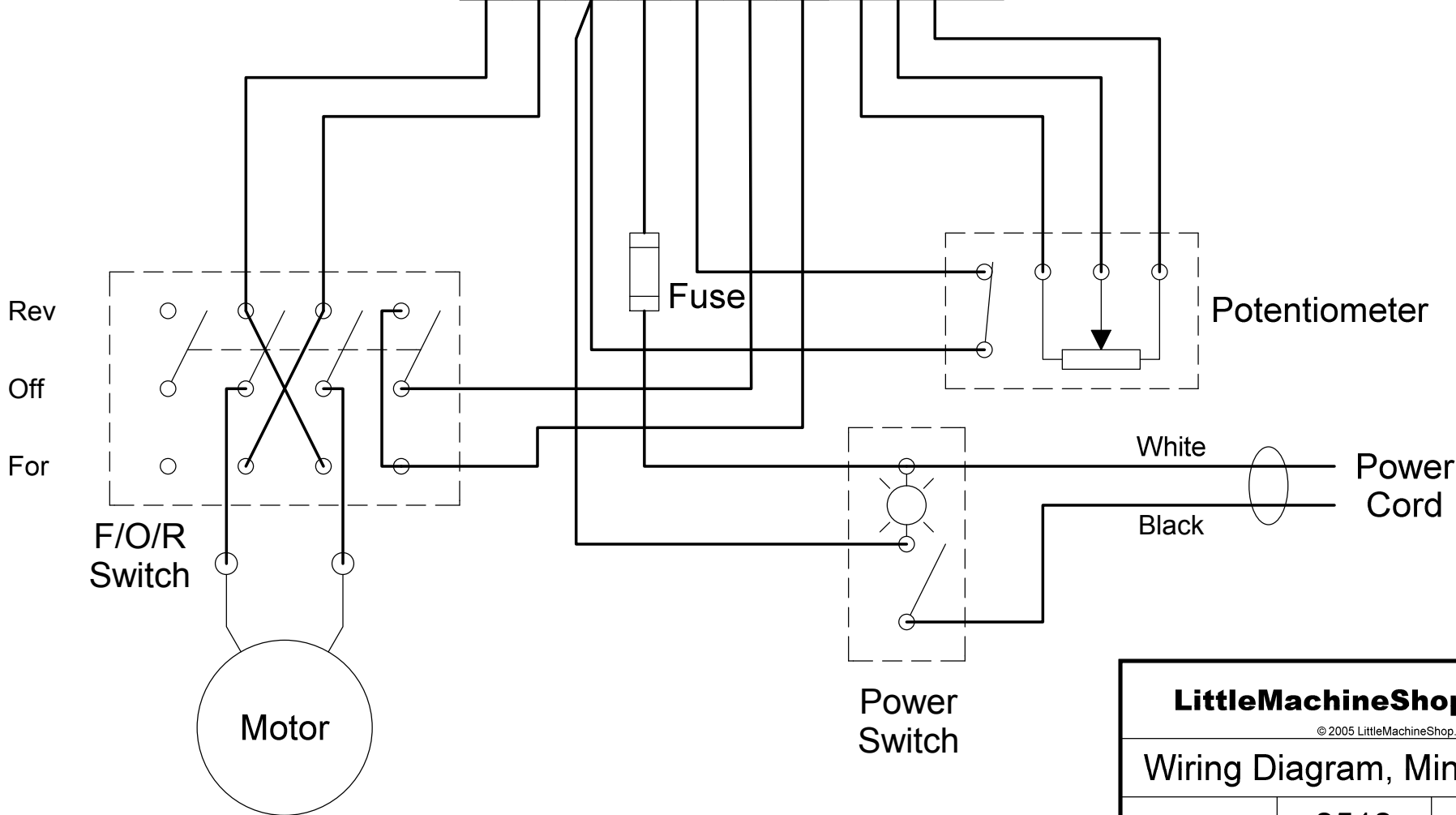
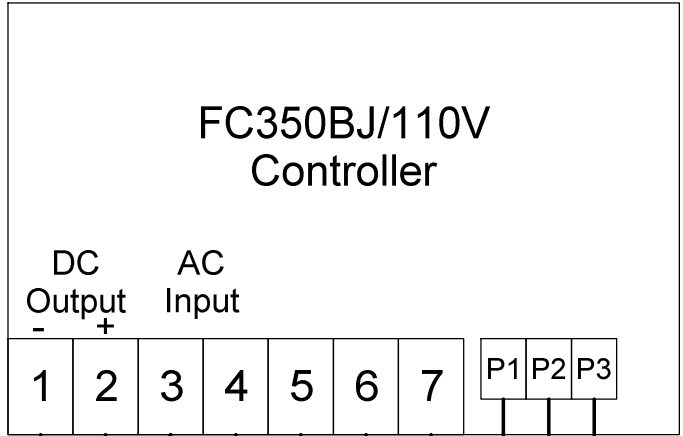


Wiring diagram for HF 7x10 mini lathe with illuminated rocker power switch and upgrade 350-watt controller. F/O/R switch and potentiometer replaced to gain safety interlock.



LittleMachineShop.com		
<small>© 2005 LittleMachineShop.com. All rights reserved.</small>		
Wiring Diagram, Mini Lathe		
Revision 0	2512	Sheet 1 of 1